

Serger Stitch Guidesheet

Stitch	Threading pp.9-14	Needle pp.22 & 26	Spreader ¹ pg. 15	Lower Loper Pre-tension Setting Slider	Thread Guide pg. 29	Tension dials	Standard Stitch Length	Needle Plate Setting Knob pp. 27-28
4-Thread Serging	Use all four	Use both needles	No spreader	Std. (Standard)	Upper position	3, 3, 3, 3	3	S
3-Thread Serging with the Left Needle	Remove right needle thread	Remove right needle	No spreader	Std. (Standard)	Upper position	3, (x), 3, 3	3	S
3-Thread Serging with the Right Needle	Remove left needle thread	Remove left needle	No spreader	Std. (Standard)	Upper position	(x), 3, 3, 3	3	S
2-Thread Serging with the Left Needle	Remove right needle thread, remove upper looper thread	Remove right needle	Spreader	Std. (Standard)	Lower position	3, (x), (x), 3	3	S
2-Thread Serging with the Right Needle	Remove right needle thread, remove upper looper thread	Remove left needle	Spreader	Std. (Standard)	Lower position	(x), 3, (x), 3	3	S
Rolled Hemming	Remove left needle thread	Remove left needle	No spreader	R.H. (Rolled Hem)	Upper position	(x), 4, 3, 3	R	R
Picot Hemming	Remove left needle thread	Remove left needle	No spreader	R.H. (Rolled Hem)	Upper position	(x), 4, 3, 3	3	R
Narrow Hemming	Remove left needle thread	Remove left needle	No spreader	Std. (Standard)	Upper position	(x), 4, 6, 4	R	R

Green cells indicate a setting that is different than the standard settings

Always return the serger to the 4-Thread Serging configuration when you are finished

¹ The spreader is in the serger bin with the foot control pedal

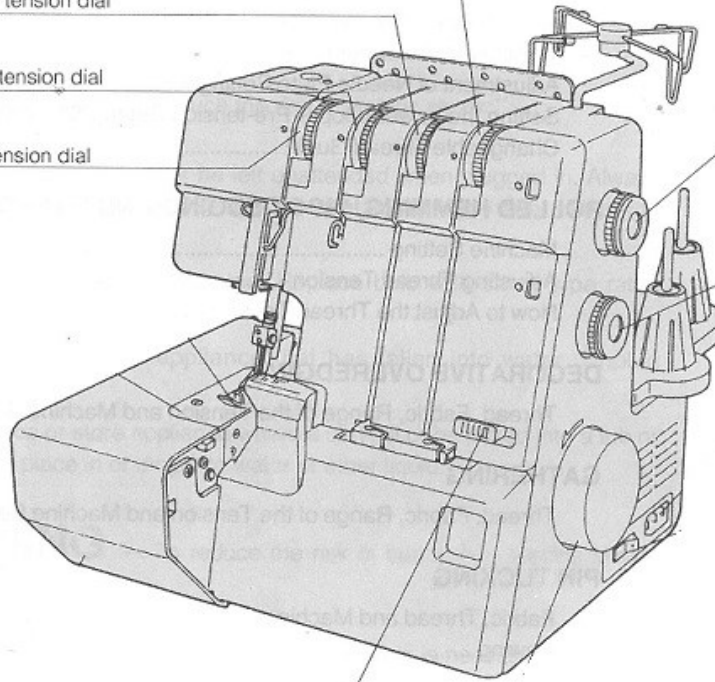
Serger Parts

Lower looper thread tension dial

Upper looper thread tension dial

Right needle thread tension dial

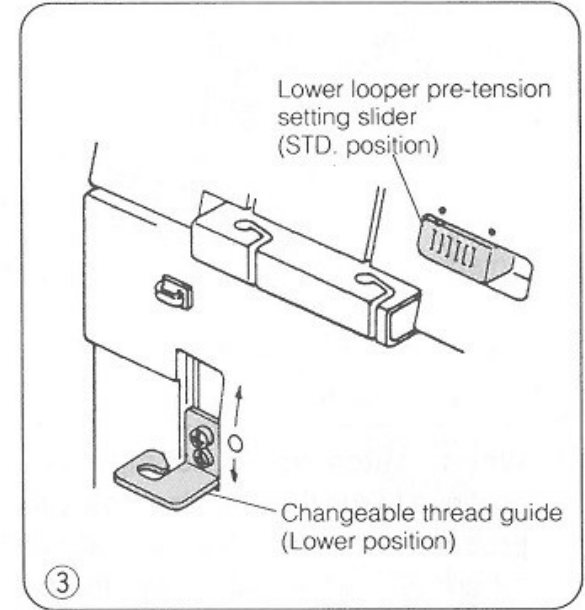
Left needle thread tension dial



Stitch length dial

Differential feed dial

Lower looper pre-tension setting slider



Upper knife

Upper knife release knob

Needle plate setting knob

